



PO Box 10127
2225 Old Philadelphia Pike
Lancaster, PA 17605-0127

Phone 800-233-0289
FAX 800-253-0805

- ORDER PENDING
 ORDER RELEASED FOR PRODUCTION
 QUOTATION

RTA RANGE HOOD ORDER FORM

Please consult the Range Hood Order Spec Sheet for important details before ordering.

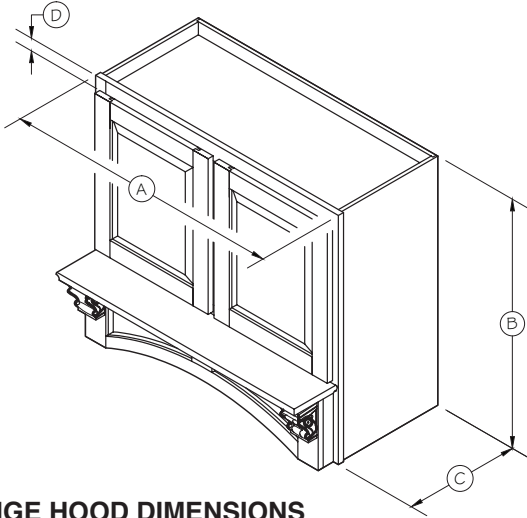
ORDERED BY _____ ORDER DATE _____
CO. NAME _____
ADDRESS _____
ADDRESS _____
CITY _____ STATE _____ ZIP _____
PHONE # _____ FAX # _____
Email _____
P.O.# _____ JOB # _____

To order using a Credit Card, please contact our Customer Service Department.

IMPORTANT: You are responsible for knowing and adhering to your local building codes and ordinances.

RANGE HOOD DESIGN (See the spec sheet for detailed information.)

- KRH-2201 KRH-2202 KRH-2203 KRH-2401 KRH-2402 KRH-2403 (with scroll) KRH-2403 (without scroll)



RANGE HOOD DIMENSIONS

- (A) FACE FRAME WIDTH _____
(B) FACE FRAME HEIGHT _____
(C) CABINET DEPTH _____
(BACK OF THE CABINET TO THE FRONT OF THE FACE FRAME ONLY)
(D) TOP RAIL REVEAL _____
(FOR WHEN DOORS ARE ORDERED WITH THE HOOD) (TOP RAIL IS 2 1/4" WIDE.)

- INCLUDE THE OPTIONAL STAINLESS STEEL LINER
 CUT THE LINER VENT OPENING _____
(OPENING SIZE)

FORMAT

- Full Cabinet Face Frame Only

Range hoods may be ordered "full cabinet" as illustrated on the left or "face frame only" without the cabinet box. All range hoods are shipped flat with the mantle portion pre-assembled to the face frame.

DOOR / ARCH STYLE

INCLUDE DOORS YES NO

Range hoods may be ordered with or without the doors. Doors ordered with the hood will ship not installed on the face frame.

DOOR / ARCH DESIGN _____
DOOR LIP / EDGE _____ FRAMING BEAD _____
PANEL RAISE _____

Due to the constraints in making panel arches for KRH-2201, KRH-2202, KRH-2401 and KRH-2402, not all framing beads and panel raises are available for those designs. Please see the spec sheet for details.

WOOD SPECIES

- CHERRY HARD MAPLE RED OAK
 CLEAR CHERRY SELECT MAPLE PAINT GRADE

Other species may be available upon request. Please call Customer Service.

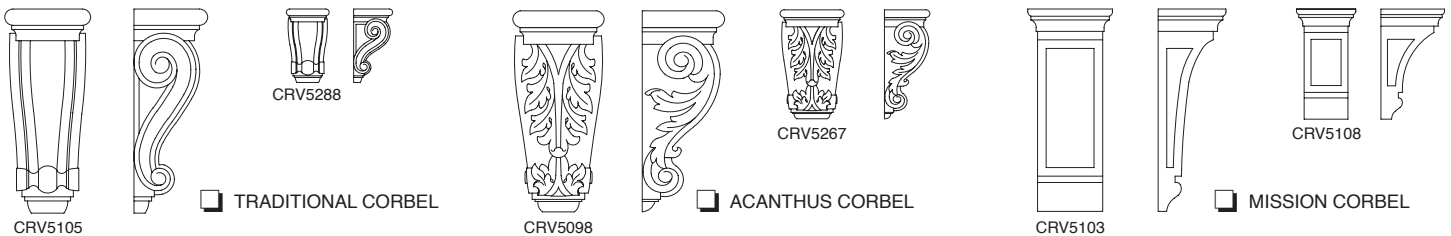
NOTE: Corbels and scrolls are available in maple or cherry only. Therefore, range hoods ordered in red oak and paint grade will have maple adornments.

FINISHING

- UNFINISHED FINISH _____
(FINISH COLOR, GLAZE COLOR, ETC.)

WHITE RIVER CORBELS (Choose one corbel style)

KRH-2202 and KRH-2402 use the smaller size.
KRH-2203 uses the larger size.
(Not available on KRH-2201, KRH-2401 or KRH-2403)



TRADITIONAL CORBEL

ACANTHUS CORBEL

MISSION CORBEL

PLEASE SEND MORE ORDER FORMS

ORDER / QUOTE FORMS



PO Box 10127
2225 Old Philadelphia Pike
Lancaster, PA 17605-0127

Phone 800-233-0289
Email info@keystonewood.com
www.keystonewood.com

Feel free to make as many copies as you need for ordering or quoting.

Submitting multiple pages and multiple forms:

Please be sure that your name and the name of your company appear on EACH page of EACH form and number each page (page 1 of 3, page 2 of 3, page 3 of 3, etc.) in the space provided at the top of each form. This will help us process your order or quote quickly.

Download PDF versions of these forms at our web site: keystonewood.com/resources/order-forms-downloads

Terms & Conditions of Sale

All sales by Keystone Wood Specialties Inc. (herein called Keystone) are subject to the following terms and conditions.

1. Keystone shall not be liable for any delay in performance or failure to perform if the delay or failure is caused by an event beyond its reasonable control.
2. Due to the custom nature of the orders placed with Keystone, shipping dates on invoices are only approximate shipping dates. While every effort will be made to meet a customer's delivery date, delivery on a specific day cannot be guaranteed.
3. Keystone retains a security interest in all goods shipped to customer until payment in full has been received.
4. Claims for shortages or damaged merchandise must be made within 10 days after merchandise is received. Repack damaged merchandise in ORIGINAL cartons and contact Keystone for instructions.
5. The customer shall notify Keystone immediately on receipt of any nonconforming goods, whereupon Keystone shall, at its option, either repair the goods, replace the goods, or give the customer a credit for the price of the goods. The customer's repair of goods without Keystone's express approval constitutes acceptance of the goods as if they were conforming, and Keystone is not liable for the expense of the repair.
6. Orders for custom made goods cannot be cancelled or changed after order is placed into production. Custom made goods cannot be returned. Other goods can be returned only at customer's expense and with Keystone's express approval. When goods are returned with such approval, Keystone will give the customer credit for the price of the goods less a restocking charge of 25%.
7. All orders are shipped prepaid by credit card unless approved for Open Account or C.O.D. Open Accounts are paid according to invoice terms. Deposits may be required for larger orders. Trade discounts are applied only to discountable products when orders are paid within 60 days. (See page 5 of the Price Catalog.)
8. Beginning December 1, 2022, we will impose a 2.85% surcharge on all Credit Card Transactions, which is not greater than our cost of acceptance. A surcharge will not be applied to any debit card transactions.
9. When placing an order on COD, Open Account, or any other terms, customer agrees in addition to any other liability to pay Keystone on demand all costs and expenses (including reasonable attorney's fees and legal expenses) which may be incurred in the enforcement of customer's liabilities to Keystone.
10. The customer's remedies set out in these terms and conditions are the customer's exclusive remedies, and under no circumstances shall Keystone be liable for any labor claims or for any other special, incidental, or consequential damages arising out of goods or a delay in the delivery of goods.

FAX: 717-299-9654 or 800-253-0805

EMAIL: info@keystonewood.com