



PO Box 10127
2225 Old Philadelphia Pike
Lancaster, PA 17605-0127

CUSTOM VALANCE / HOOD PANEL ORDER FORM

ORDER QUOTE

Phone 800-233-0289
FAX 800-253-0805
Email: info@keystonewood.com

ORDERED BY _____ ORDER DATE _____

CO. NAME _____

ADDRESS _____

ADDRESS _____

CITY _____ STATE _____ ZIP _____

PHONE # _____ FAX # _____

E-mail _____

P.O.# _____ JOB # _____

To order using a Credit Card, please contact our Customer Service Department.

DOOR STYLE _____

PANEL STYLE _____

WOOD _____ LIP/EDGE _____

FINISH _____

POLISH SAND YES NO

GRAIN DIRECTION (PANELS) HORIZONTAL VERTICAL

DIMENSIONS:

A _____

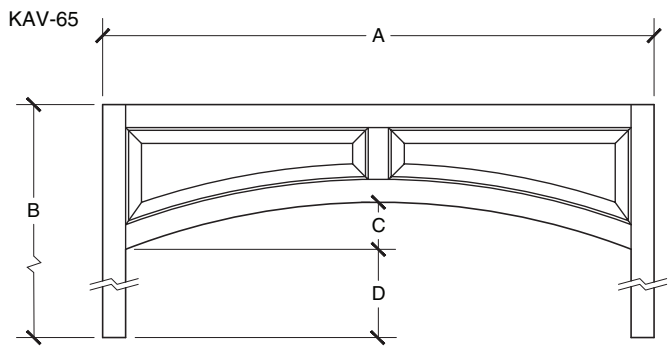
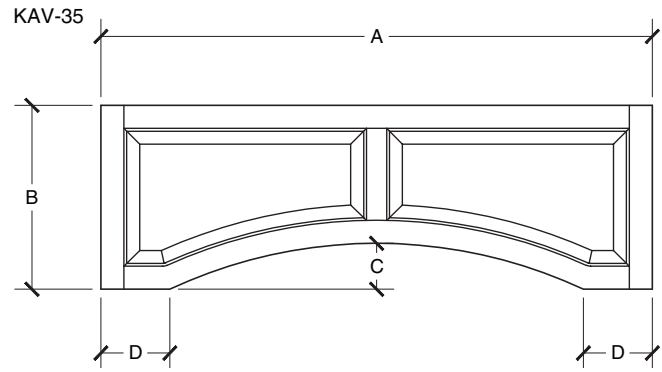
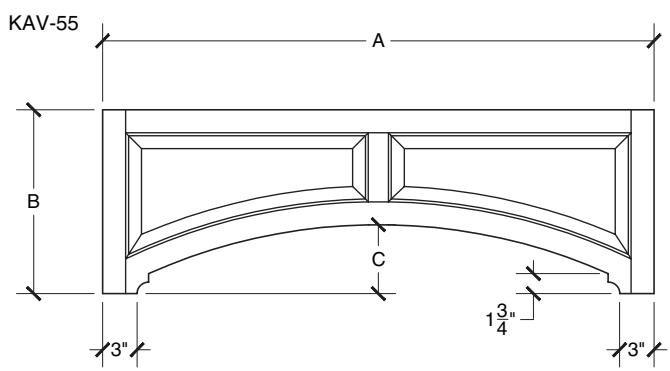
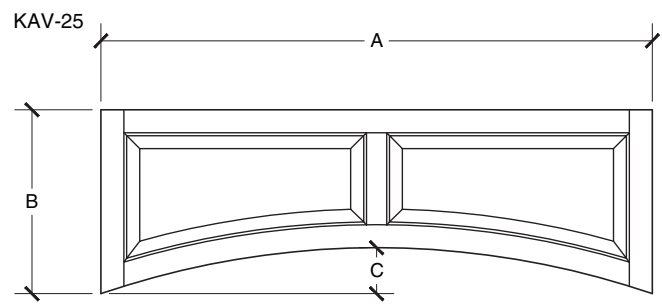
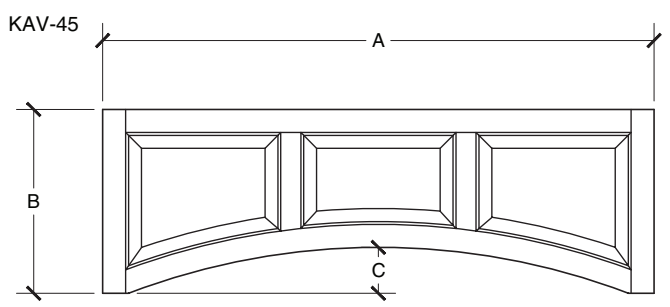
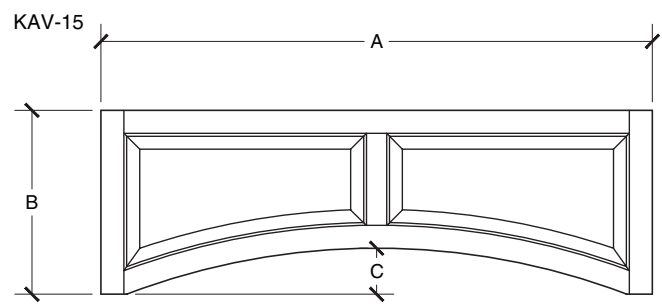
B _____

C _____

D _____

VALANCE DESIGN

(e.g. KAV-55)



PLEASE SEND MORE FORMS