



PO Box 10127  
2225 Old Philadelphia Pike  
Lancaster, PA 17605-0127

# CUSTOM VALANCE / HOOD PANEL ORDER FORM

ORDER     QUOTE

ORDERED BY \_\_\_\_\_ ORDER DATE \_\_\_\_\_

CO. NAME \_\_\_\_\_

ADDRESS \_\_\_\_\_

ADDRESS \_\_\_\_\_

CITY \_\_\_\_\_ STATE \_\_\_\_\_ ZIP \_\_\_\_\_

PHONE # \_\_\_\_\_ FAX # \_\_\_\_\_

E-mail \_\_\_\_\_

P.O.# \_\_\_\_\_ JOB # \_\_\_\_\_

VISA    MASTERCARD    AMEX    DISCOVER   CVV Number \_\_\_\_\_

CARD # \_\_\_\_\_ EXP. DATE \_\_\_\_\_

NAME ON CARD \_\_\_\_\_

SIGNATURE \_\_\_\_\_

DOOR STYLE \_\_\_\_\_

PANEL STYLE \_\_\_\_\_

WOOD \_\_\_\_\_ LIP/EDGE \_\_\_\_\_

FINISH \_\_\_\_\_

POLISH SAND     YES     NO

GRAIN DIRECTION (PANELS)

HORIZONTAL     VERTICAL

DIMENSIONS:

A \_\_\_\_\_

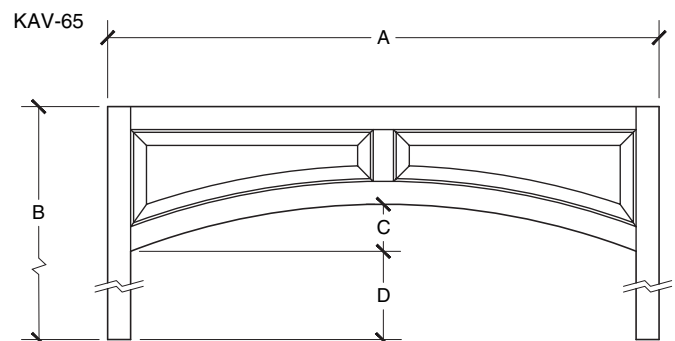
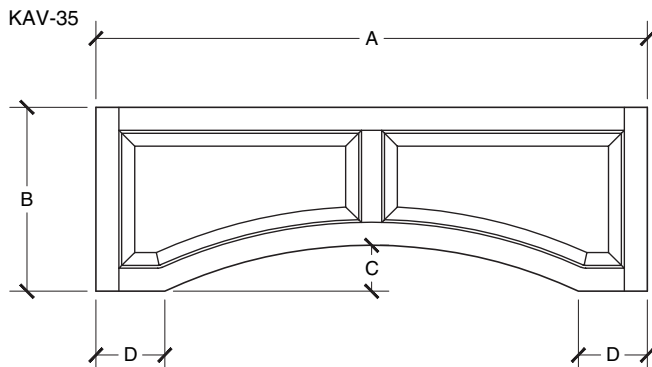
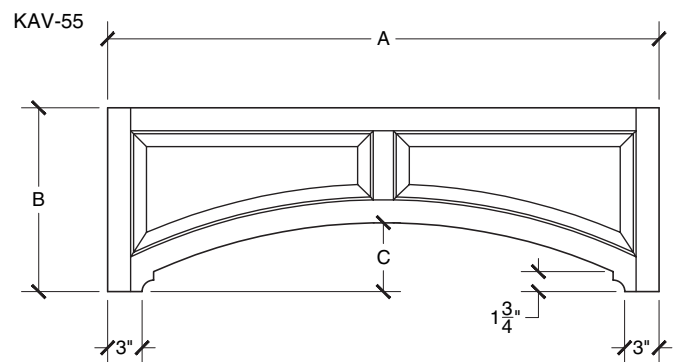
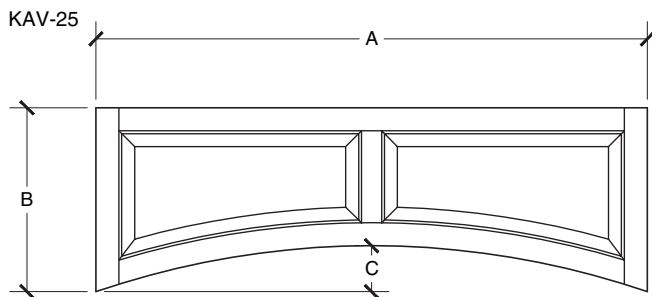
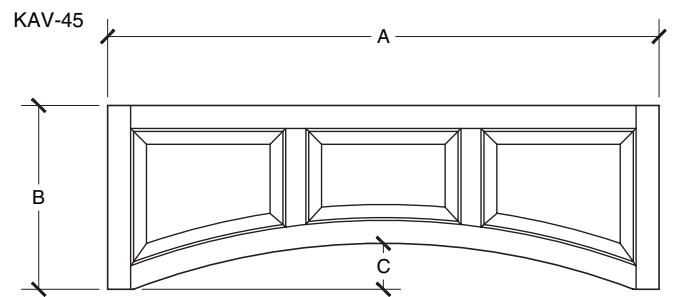
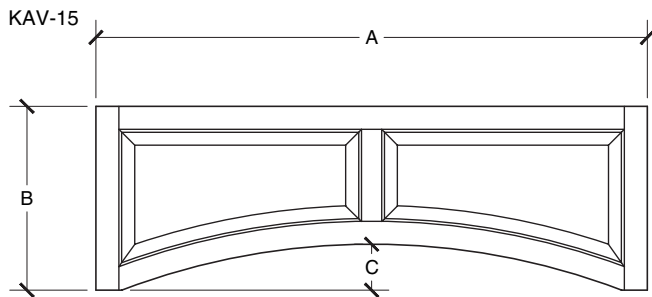
VALANCE DESIGN

B \_\_\_\_\_

(e.g. KAV-55)

C \_\_\_\_\_

D \_\_\_\_\_



PLEASE SEND MORE FORMS